



UD TRUCKS

Quester

CDE62TR08MJ



Going the Extra Mile



CDE62TR08MJ Specifications

PERFORMANCE

Minimum Turning Radius: 12,520 m
Maximum Speed and Gradeability @ 30,500kg

Max. speed km/h	Gradeability (tan θ)%	Transmission	Final ratio	Rear axle type
108	38.40%	ST1199	4.33	Single reduction

ENGINE

Make and model	UD Trucks GH08 330 EC01 Diesel Engine
Euro Emission	EURO 3
Type	4 cycles, direct injection, water cooled, in-line diesel engine, turbocharged with intercooler
Number of cylinders	6
Bore x Stroke	110 mm X 135 mm
Total piston displacement	7,698 cc
Max. output	280 HP (206 kW) @ 2,200 rpm
Max. torque	107 kg.m (1,050N.m) @ 1,100 - 1,700 rpm
Fuel system	Common rail fuel injection system
Air cleaner	Dry paper with dual filter
Fuel tank capacity	315 litres

CHASSIS

Clutch	Dry single plate, hydraulically operated clutch release mechanism with air assisted booster
Front axle	Drop forged steel "I" section beam reverse "Elliot" type
Rear axle	Full - floating, pressed steel banjo housing
Tag axle	Full - floating, pressed steel dead axle beam
Steering	Single reduction, hypoid gear Re-circulating ball screw type, hydraulic power assist, adjustable tilt / telescopic
Service brake (foot brake)	Full air brakes actuated on all wheels, S-cam type with automatic slack adjuster, Anti-lock Braking system (ABS)
Parking brake (hand brake)	Pneumatically controlled spring brake operated by gradual type control valve, acting on all wheels
Emergency brake	Spring brake acting on front and rear axles
Auxiliary brake	Exhaust pressure governor
Front suspension	Parabolic leaf springs with shock absorber and stabiliser bar
Rear suspension	Multi-leaf springs

TRANSMISSION

Model	ST1199
Type	9 forward speeds and one reverse, synchromesh on 2nd to 9th gear, constant mesh on 1st and reverse gear
Gear shift	Mechanical remote control

WHEELS & TYRES

Tyres	295/80R 22.5 16PR
Rim	Pressed steel disc type, 9.00 x 22.5 ISO 10 studs
Spare wheel	One spare wheel / tyre with carrier

FRAME

Frame	Thermo-mechanically rolled frame, rivet free at top of chassis frame
Main frame dimensions	300 mm x 90 mm x 8 mm
Inner liner dimensions	277 mm x 80 mm x 5 mm

ELECTRICAL EQUIPMENT

Battery	150 A.h. 12 Volt x 2
Alternator	24-volts 80 ampere
Headlights	Halogen headlight, headlight level control switch
Others	Tail lights, stop light, license light, side clearance light, turn signal light, back-up light, horn

CABIN

Type	Sleeper cab (UN ECE R29 compliant), Forward control with manual hydraulic cab tilting, coil spring with shock absorber.
Instrument panel	Speedometer with odometer and trip meter
- Meters	Tachometer Fuel gauge Engine coolant temperature gauge Air pressure gauge
- Warning lights and buzzers	Low engine oil pressure indicator Head light high beam indicator Turn signal indicator lights Battery charge warning indicator Hazard warning flasher (4-way) Parking brake warning light Air cleaner dog warning indicator

STANDARD FITMENTS

Fuel coaching system	✓
Exhaust brake	✓
Power window	✓
Sun visors (for driver and co-driver)	✓
Under mirror	✓
Exterior mirrors with electric heater	✓
Air dryer	✓
Driver seat air suspension (auto weight adjustment)	✓
Auxiliary passenger seat	✓
UD Standard tools (1 set)	✓
Bottle Jack (20 ton)	✓
Wheel chocks (2 pieces)	✓
Transmission PTO	Optional

WEIGHT (kg)

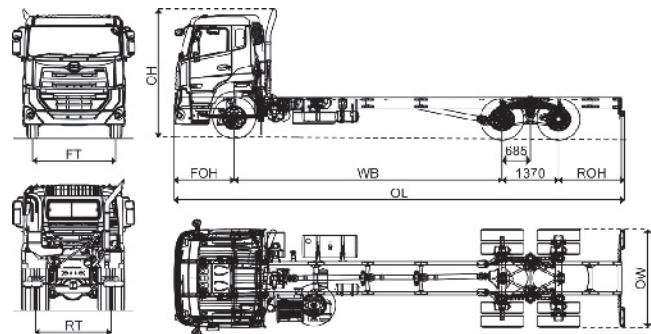
Chassis with cab (Approx - Include crew)	7,845
- On front axle	4,180
- On rear axles	3,665
Permissible gross vehicle weight	30,500
Permissible front axle load	8,000
Permissible rear axle load	23,000

DIMENSION (mm)

Wheelbase (WB)	5,600	Rear tread (RT)	1,836
Overall length (OL)	11,155	Front overhang (FOH)	1,460
Overall width (OW)	2,485	Rear overhang (ROH)	2,725
Overall height (OH)	3,285	Ground clearance (GC)	244
Front tread (FT)	2,020		

Other available WB: 5,100mm, 5,500mm

NOTE: As product improvements may be introduced at any time, specifications are subject to change without notice.



Plot 43, Lambak Kanan Industrial Area (West)
Jalan Pasir Berakas, BB1714, Brunei Darussalam.
Tel : 239 3658 / 239 3713 Fax : 239 3659
E-mail : cvsales@bousteadcars.com

