



Volvo Buses. Driving Quality of Life

VOLVO B8R

Made to just keep running



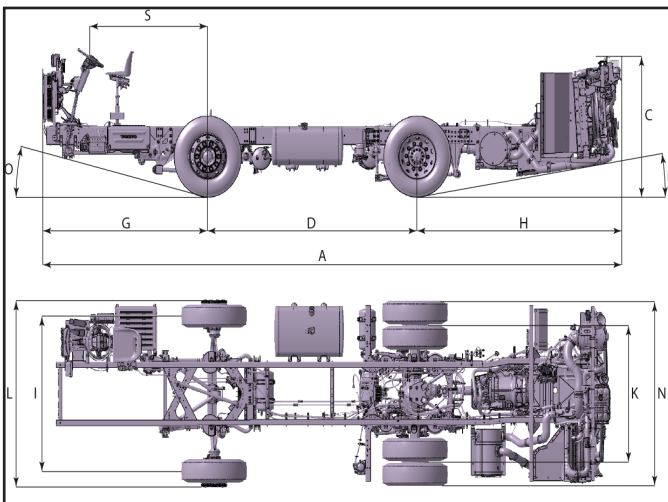
Volvo B8R Specification

Overall Dimensions			
A	Overall Chassis Length	SWP1820	10173-13073
		SWP1650	10003-12903
C	Frame Height at Rear Structure		1786
D	Transport Wheelbase		3250
	Approved Wheelbase		4500-7400
G	Front Overhang	SWP1820	2500
		SWP1650	2330
H	Rear Overhang		3193
S	Steering Wheel Position	SWP1820	1818
		SWP1650	1648
I	Tread, Front		2049
K	Tread, Rear		1848
L	Overall Width Front Wheels or Housing		2364
N	Overall Width Rear Wheels		2436
O	Approach Angle (°) (N-Steering)		7.6
P	Departure Angle (°)		7.7

Engine	D8A330
Emission Standard	Euro 3
Engine System	Common Rail
Displacement	7700 CC
Cylinders/Arrangement	6/In-Line
Maximum Power (hp/kW)	330/243
Maximum Torque (N.m)	1200
@ Engine Speed (rpm)	1200-1650

Fuel Tanks	
Diesel (L)	2x150, 300, 400, 450, 590
Transport (L)	50

Transmission & Axles	
Gearbox	ZF 6AP1200C
Front Axle	VOLVO RFS
Rear Axle	VOLVO RS1228C
Differential Lock	Optional



*All Measurements in mm
*All Weights in Kg

Final design to be determined by customer

Suspension & Steering	
Air Bellows, Front	2
Air Bellows, Rear	4
Kneeling	Optional
Max Wheel Angle	52°±1°
Power Steering	Hydraulic Power Steering

Weights	
Permitted Front Axle Load (Kg)	7500
Permitted Drive Axle Load (Kg)	12000
Permitted GVW (Kg)	19500

Rims And Tyres	
Rims	8.25"x22.5"
Tyres	295/80R22.5"
10 Stud Steel Or Aluminum	

Air and Brake System

- Volvo Disc Brakes
- Electronic Braking System
- Anti-Lock Braking System
- Acceleration Slip Regulation
- Separate Circuits for Front and Rear Wheels
- Brake Assistant
- Brake Blending
- Drag Torque Control
- Dual Retarder Control
- Lining Wear Sensing and Analysis
- Hill Start Aid
- Brake Temperature Warning
- Poor Brake Performance Warning
- Door Brake
- Automatic Calibration after Brake pad Change
- Compressed Air System, easily filled form external circuit

Driver's Seat and Station

- Adjustable Steering Wheel
- Instrument cluster
 - Speedometer
 - Rev counter
 - 6.5" Display
 - Fuel Gauge
 - Coolant Temperature
 - Brakes
 - Turbo and Oil Pressure
 - Indicators
 - Warning Lamps
- Emergency Switch
- Tachograph
- Radio Switches in Steering Wheel
- Data Logging
- Volvo Alcolock
- External Temperature Meter
- Fuel Economy Meter
- Engine controls in engine compartment to enable engine operation from the rear of vehicle